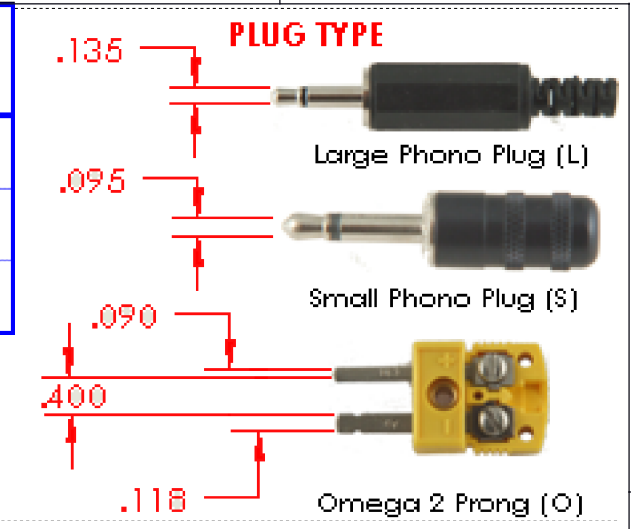


PART NUMBER	A	B
SLD-10-Mo-A.250B.030-J-O	.250 / 6.35	.030 / .762
SLD-10-Mo-A.500B.030-J-O	.500 / 12.7	.030 / .762
SLD-10-Mo-A.750B.030-J-O	.750 / 19.05	.030 / .762
SLD-10-Mo-A.250B.060-J-O	.250 / 6.35	.060 / 1.524
SLD-10-Mo-A.150B.060-J-O	.500 / 12.7	.060 / 1.524
SLD-10-Mo-A.200B.060-J-O	.750 / 19.05	.060 / 1.524
SLD-10-	?	?
	in / mm	in / mm

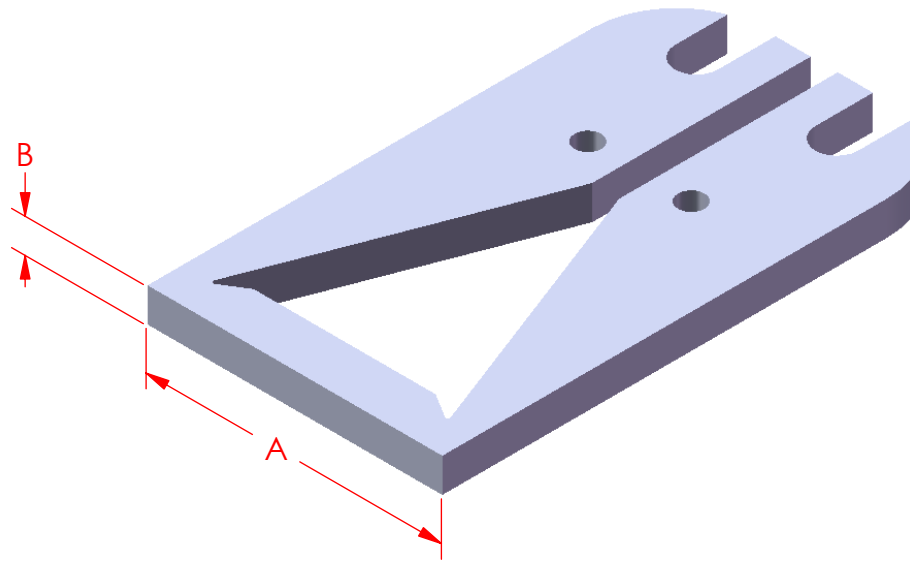
Thermo-couple Type	Material	Max Temp Range
E	Chromega®/Constantan	900°C (1652°F)
J	Iron / Constantan	750°C (1382°F)
K	Chromega® / Alomega®	125°C (2282°F)



Standard Tip Material:
Molybdenum (Mo)

Part Number Construction
SLD-10-Mo-A.500B.030-J-O

- Plug Type
- Thermocouple
- Dimensions
- Material
- Product Series



Custom configurations and Materials available.
Contact the factory for assistance.

AIT PROPRIETARY THIS DOCUMENT AND THE DATA DISCLOSED HEREIN OR HEREWITH IS NOT TO BE REPRODUCED, USED OR DISCLOSED IN WHOLE OR IN PART TO ANYONE WITHOUT WRITTEN PERMISSION OF AIT	DIMENSIONS ARE IN INCHES DIMENSIONING & TOLERANCING PER ANSI Y14.5 UNLESS OTHERWISE SPECIFIED: TOLERANCES .X = .1 .XX = .01 .XXX = .005 .XXXX = .0005 ANGLES = 0°30' BREAK SHARP EDGES .010-.020 ALL SMALL FILLETS .020-.040 ALL FINISHED SURFACES 125	SIGNATURE	DATE	Microtronic GmbH www.microtronic.de			
		DRAWN CHECKED ENGINEER			DESCRIPTION		
MC THIRD ANGLE PROJECTION 3D		DO NOT SCALE DRAWING	SCALE: 1/1	SIZE A	JOB NUMBER	DRAWING NUMBER SLD-10	REV A
			SHT 1 OF 1				