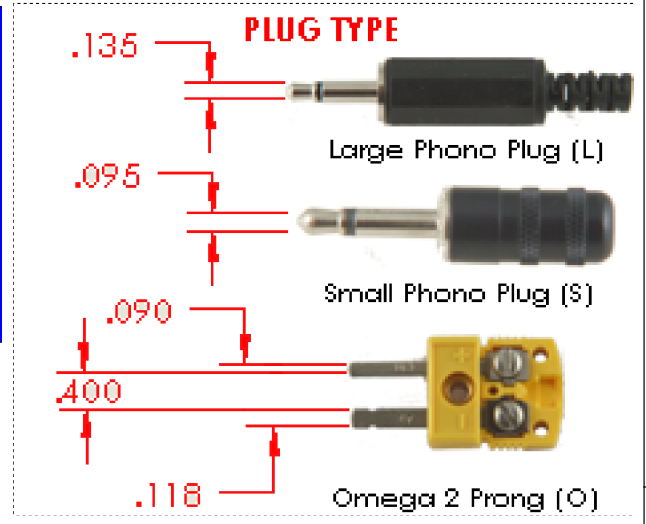


PART NUMBER	A	B
SLD-12-W-A1.00B.060-J-O	1.00 / 25.4	.060 / 1.524
SLD-12-W-A1.50B.060-J-O	1.50 / 38.1	.060 / 1.524
SLD-12-W-A2.00B.060-J-O	2.00 / 50.8	.060 / 1.524
SLD-12-W-A3.00B.060-J-O	3.00 / 76.2	.060 / 1.524
SLD-12-W-A4.00B.060-J-O	4.00 / 101.6	.060 / 1.524
SLD-12-	?	?
	in / mm	in / mm

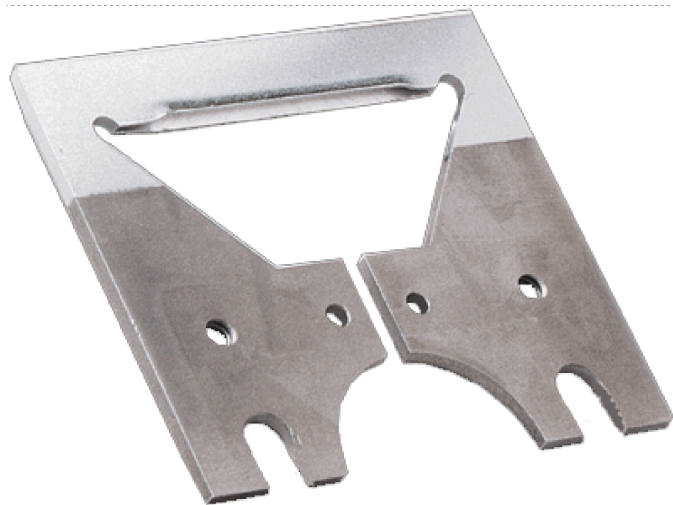
Thermo-couple Type	Material	Max Temp Range
E	Chromega®/Constantan	900°C (1652°F)
J	Iron / Constantan	750°C (1382°F)
K	Chromega® / Alomega®	125°C (2282°F)

Standard Tip Material:  
Tungsten RWMA 13 (W)

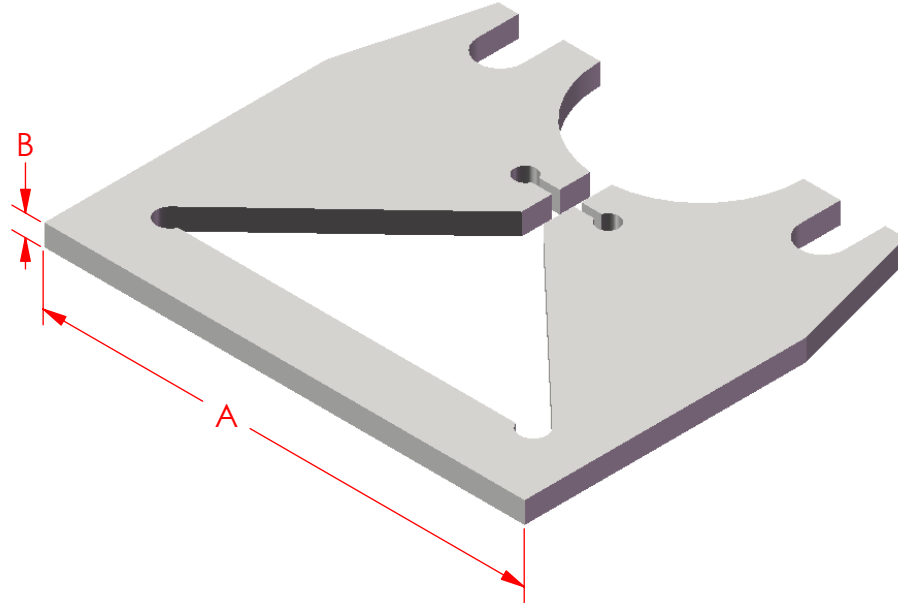


Part Number Construction  
SLD-12-W-A2.00B.060-J-O

- Plug Type
- Thermocouple
- Dimensions
- Material
- Product Series



Custom configurations and Materials available.  
Contact the factory for assistance.



<b>AIT PROPRIETARY</b> THIS DOCUMENT AND THE DATA DISCLOSED HEREIN OR HEREWITH IS NOT TO BE REPRODUCED, USED OR DISCLOSED IN WHOLE OR IN PART TO ANYONE WITHOUT WRITTEN PERMISSION OF AIT		DIMENSIONS ARE IN INCHES DIMENSIONING & TOLERANCING PER ANSI Y14.5 UNLESS OTHERWISE SPECIFIED: <b>TOLERANCES</b> .X = .1 .XX = .01 .XXX = .005 .XXXX = .0005 ANGLES = 0°30' BREAK SHARP EDGES .010-.020 ALL SMALL FILLETS .020-.040 ALL FINISHED SURFACES 125		SIGNATURE _____ DATE _____ DRAWN _____ CHECKED _____ ENGINEER _____		<b>Microtronic GmbH</b> <a href="http://www.microtronic.de">www.microtronic.de</a>		
MC THIRD ANGLE PROJECTION 		DO NOT SCALE DRAWING		DESCRIPTION				
<b>3D</b>		SCALE: 1/1		SIZE <b>A</b>	JOB NUMBER	DRAWING NUMBER <b>SLD-12</b>	REV <b>A</b>	
				SHT 1 OF 1				