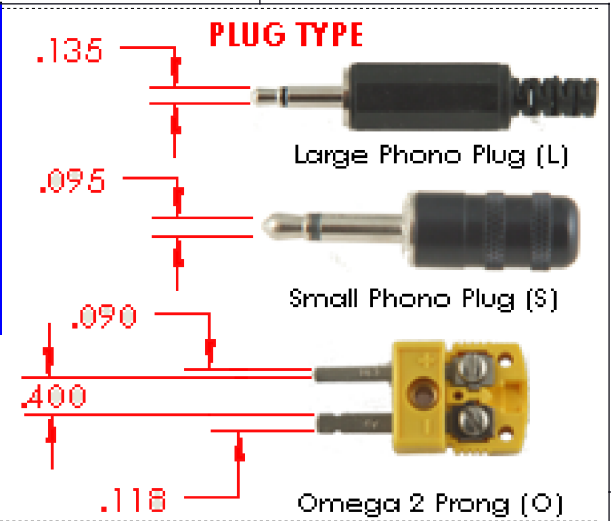


PART NUMBER	A	B
SLD-2-W-A.002B.005-E-S	.002 / .051	.005 / .127
SLD-2-W-A.004B.008-E-S	.004 / .102	.008 / .203
SLD-2-W-A.008B.005-E-S	.008 / .203	.005 / .127
SLD-2-	?	?
	in / mm	in / mm

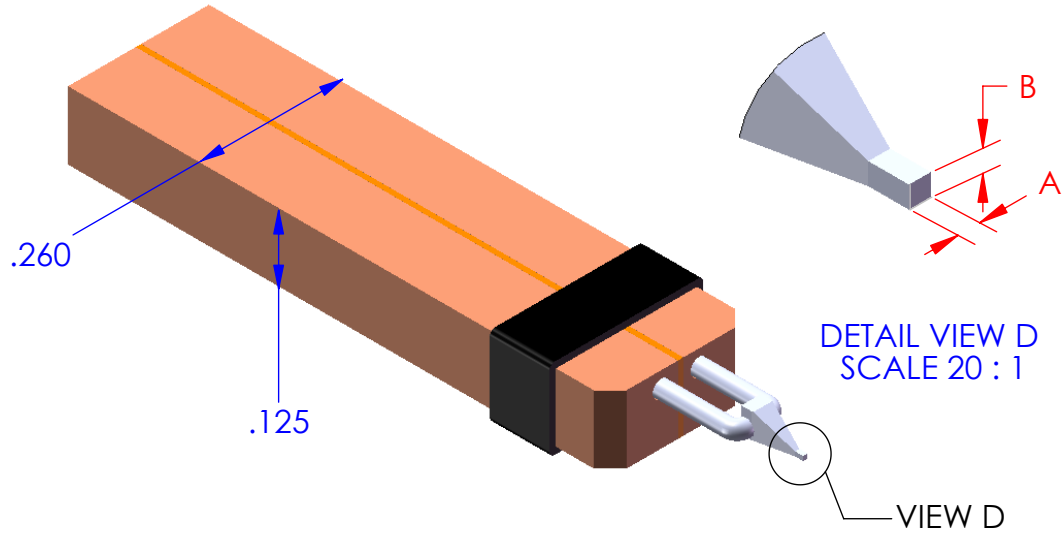
Thermo-couple Type	Material	Max Temp Range
E	Chromega®/Constantan	900°C (1652°F)
J	Iron / Constantan	750°C (1382°F)
K	Chromega® / Alomega®	125°C (2282°F)



Standard Tip Material:  
2% Thoriated Tungsten (W)

Part Number Construction  
SLD-2-W-A.002B.005-E-S

- Plug Type
- Thermocouple
- Dimensions
- Material
- Product Series



Custom configurations and Materials available.  
Contact the factory for assistance.

AIT PROPRIETARY THIS DOCUMENT AND THE DATA DISCLOSED HEREIN OR HEREWITH IS NOT TO BE REPRODUCED, USED OR DISCLOSED IN WHOLE OR IN PART TO ANYONE WITHOUT WRITTEN PERMISSION OF AIT		SIGNATURE	DATE	<b>Microtronic GmbH</b> <a href="http://www.microtronic.de">www.microtronic.de</a>	
DRAWN					
CHECKED				DESCRIPTION	
ENGINEER					
MC	THIRD ANGLE PROJECTION			SIZE	JOB NUMBER
3D				A	
DO NOT SCALE DRAWING				DRAWING NUMBER	REV
				SLD-2	A
				SCALE: 1/1	SHT 1 OF 1